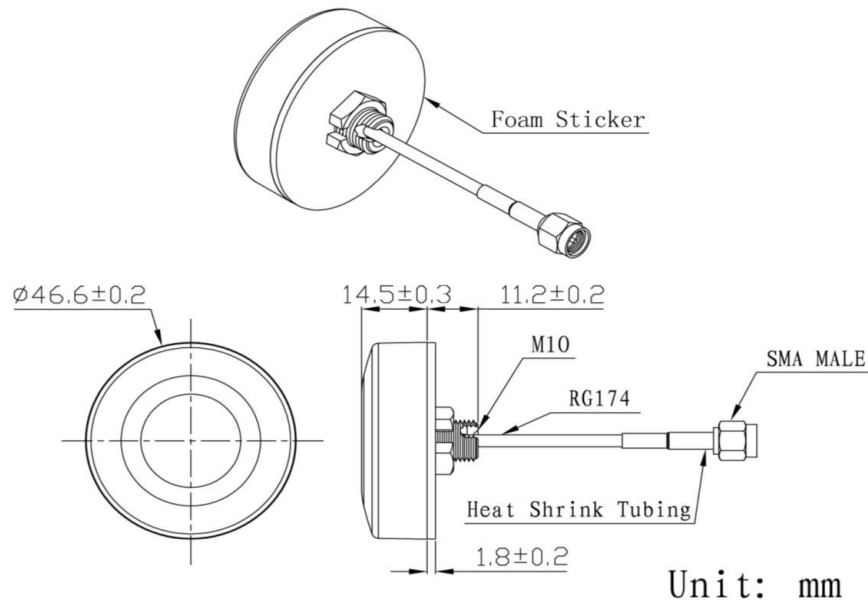


## GPS Screw Type Antenna

P/N:- V3N-003



### Dimensions :-



## Technical Specifications:-

Item		Specifications
Antenna	Center Frequency	1575.42 ± 1MHz
	Band Width	CF ± 5MHz
	Polarization	RHCP
	Gain	2dBic (Zenith)
	V.S.WR	<1.5
	Impedance	50Ω
	Axial Ratio	3dB (max)
	Dimension	25*25*4mm
LNA	Gain	28 ± 2dB
	Noise Figure	<1.5
	Filter Insertion Loss	<3dB
	Ex-band Attenuation	12dB@CF+50MHz/16dB@CF-50MHz
	Supply Voltage	2.2~5V DC
	Current Consumption	5~15mA
	V.S.WR	<2.0
Mechanical	Cable	RG174
	Connector	SMA/MCX or others
	Radome Material	ABS
	Mounting Method	Screw
Environmental	Operating Temperature	-40℃~+85℃
	Relative Humidity	Up to 95%
	Ingress Protection	IP65~IP67 (exclude cable outlet)
	Vibration	10 to 55Hz with 1.5mm amplitude 2hours

# Radiation Pattern:-

## GPS Antenna:-

